

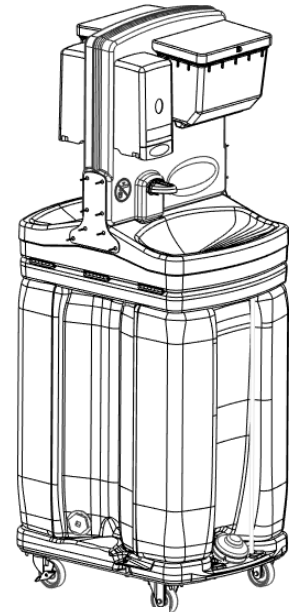
TAG4 CART

ASSEMBLY INSTRUCTIONS

* HDWE- TAG4 CART (23487)			
5	11368	8	WASHER- 5/16 FLAT STNLS
4	20840	4	NUT- 5/16-18 NYLOC STNLS
3	23489	4	BOLT, 5/16-18 X 2 HXHD STNLS
ITEM	PART#	QTY	DESCRIPTION

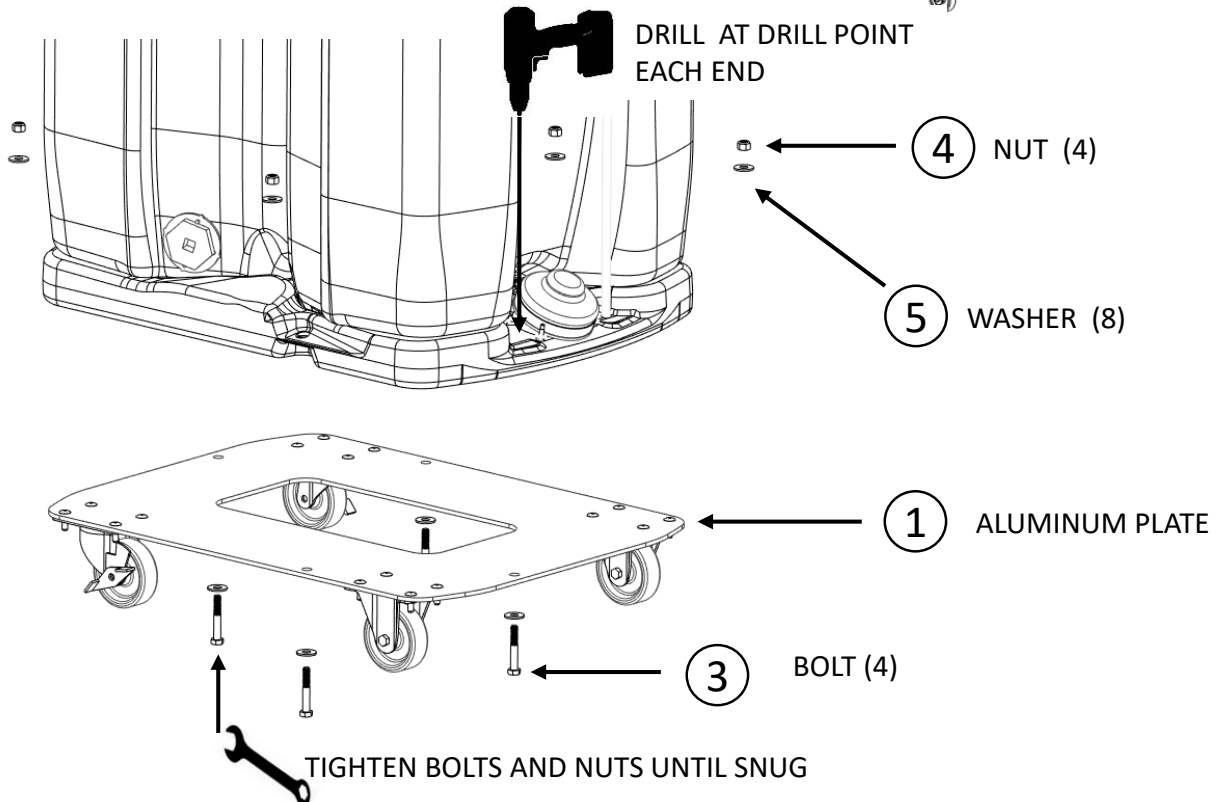
2	23487	1	HDWE- TAG4 CART *
1	23484	1	CART ASSY- TAG4
ITEM	PART#	QTY	DESCRIPTION

TOOLS: - DRILL - 1/2" DRILL BIT - 1/2" WRENCHES (2)



ASSEMBLE CART TO SINK

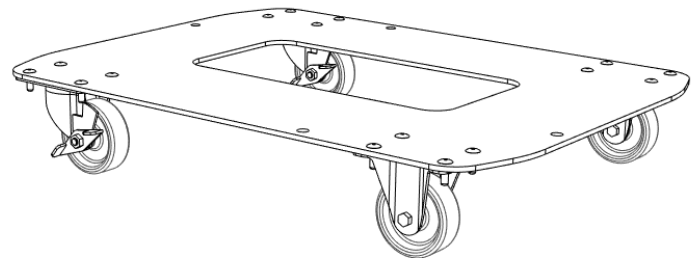
1. Drill (2) holes with 1/2 inch drill bit at indicated locations in sink base.
2. Place sink on cart and align holes.
3. Insert bolts with washers through holes from below.
4. Tighten nuts and bolt until snug. *Do not over tighten.*



** SEE PAGE 2 IF CART REQUIRES ASSEMBLY **

CART ASSY- TAG4 (23484)			
ITEM	PART#	QTY	DESCRIPTION
7	1713-699	16	WASHER- 1/4 STAINLESS FLAT
6	1765-699	16	NUT: NYLON LOCK NUT SS ¼-20
5	1910-699	16	BOLT: ¼-20 X 3/4 L 18-8
4	23485	1	PLATE- TAG4 CART
3	23487	1	HDWE- TAG4 CART (SEE PAGE 1)
2	1314-699	2	CASTER- 3" LOCKING SWIVEL
1	23486	2	CASTER- 3" RIGID

ASSEMBLED CART



TOOLS: - 7/16" WRENCHES (2)

ASSEMBLE CART TO SINK

1. Place Caster on aluminum plate.
2. Align holes and fasten in place, use (4) Bolts, (4) Washers and (4) Nuts per caster.
Note Bolt must be installed from top and Nut with Washer must be on caster side (see below).
3. Repeat process for remaining Casters.
Note Rigid Casters are to be placed at one end and the Swivel casters at the other. (see below)

