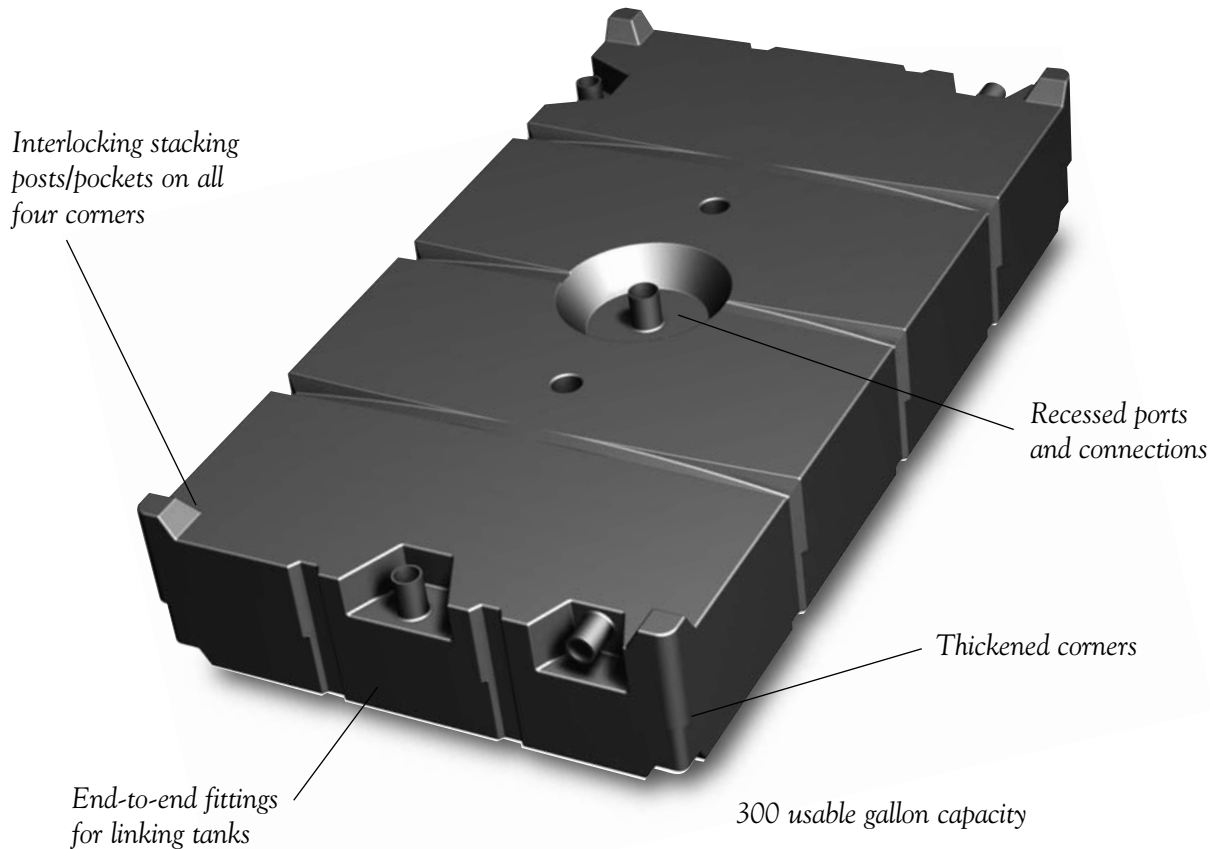




SATELLITE HOLDING TANKS

INCREASE YOUR BUSINESS VOLUME



Increase your rental business with specially built holding tanks from Satellite. In addition to adding immediate profits to your business, these strong, impact-resistant polyethylene tanks will provide many years of dependable service. With two internal pillars and thickened corners, Satellite's holding tanks are designed to stack higher, resist cracking and decrease wear-through from sliding and dragging.

Fittings are molded, not spin-welded, for greater strength and all ports and connectors are recessed to

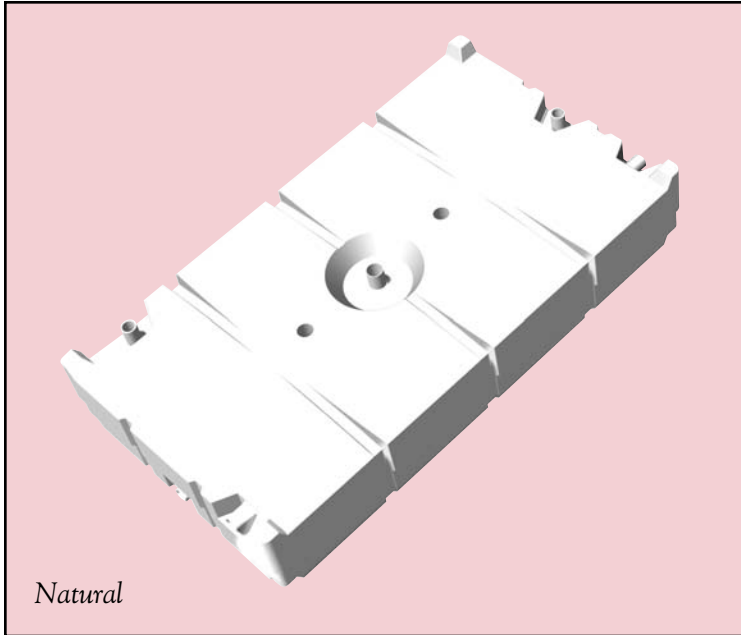
guard against breakage. Also, tanks can be connected end-to-end with standard rubber fittings to increase waste storage when needed.

Don't keep your business on hold; contact your area manager or Satellite whenever you need tanks, deodorizers, hand-wash stations, toilets, trucks or technical assistance.

1.800.328.3332

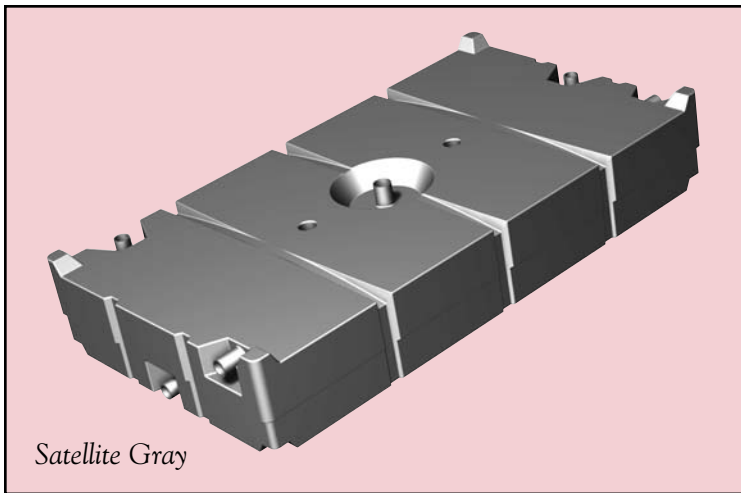


SATELLITE HOLDING TANKS



PRODUCT SPECIFICATIONS

	US UNITS	METRIC
Capacity	300 US Gal.	1135 liters
Size		
Width	.53"	.1346 mm
Length	.96"	.2438 mm
Height	.17.25"	.438 mm
Material	Polyethylene	
Weight	130 lbs.	59 Kg
Color	Satellite Gray Natural	
No. of ports	6 total 4 top – center, side, end 2 end – high, low	
Port size	Same as 3" schedule 40 pipe	



- Interlocking stacking posts/pockets on all four corners
- Recessed ports and connections
- Two internal pillars for added strength
- Optional 5" manway
- Molded fittings
- Thickened corners
- End-to-end fittings for linking tanks



Imagine The Possibilities...

www.satelliteindustries.com

2530 Xenium Lane, Minneapolis, MN 55441 USA Phone: (763)-553-1900 • Toll-Free (US & Canada): 1(800) 328-3332
Toll Free Fax (US & Canada): 1 (800) 328-3334 • Fax (Outside US): (763) 559-6525