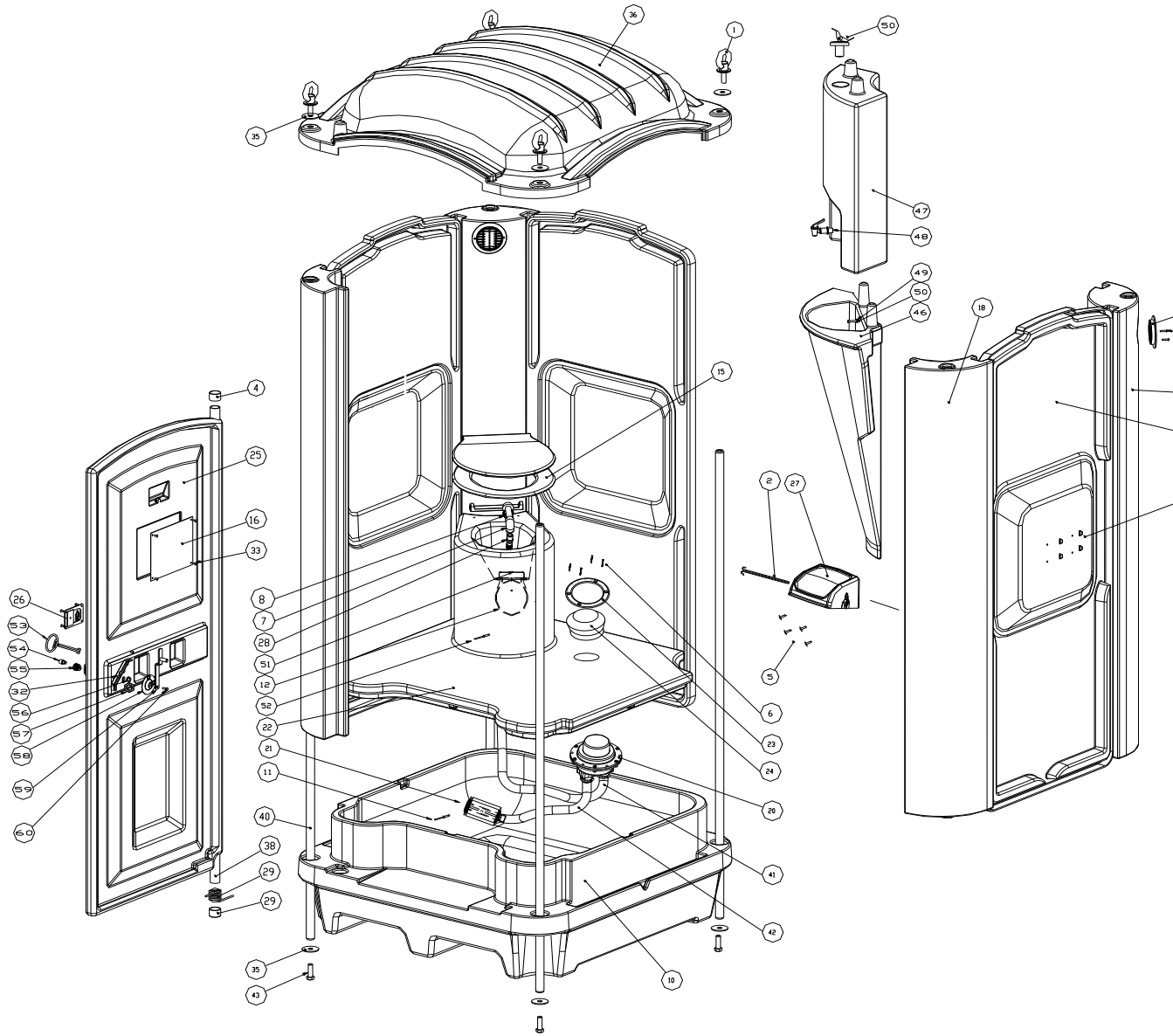


CLEANCAB SEATED TANK



CLEANCAB COLOUR CHART

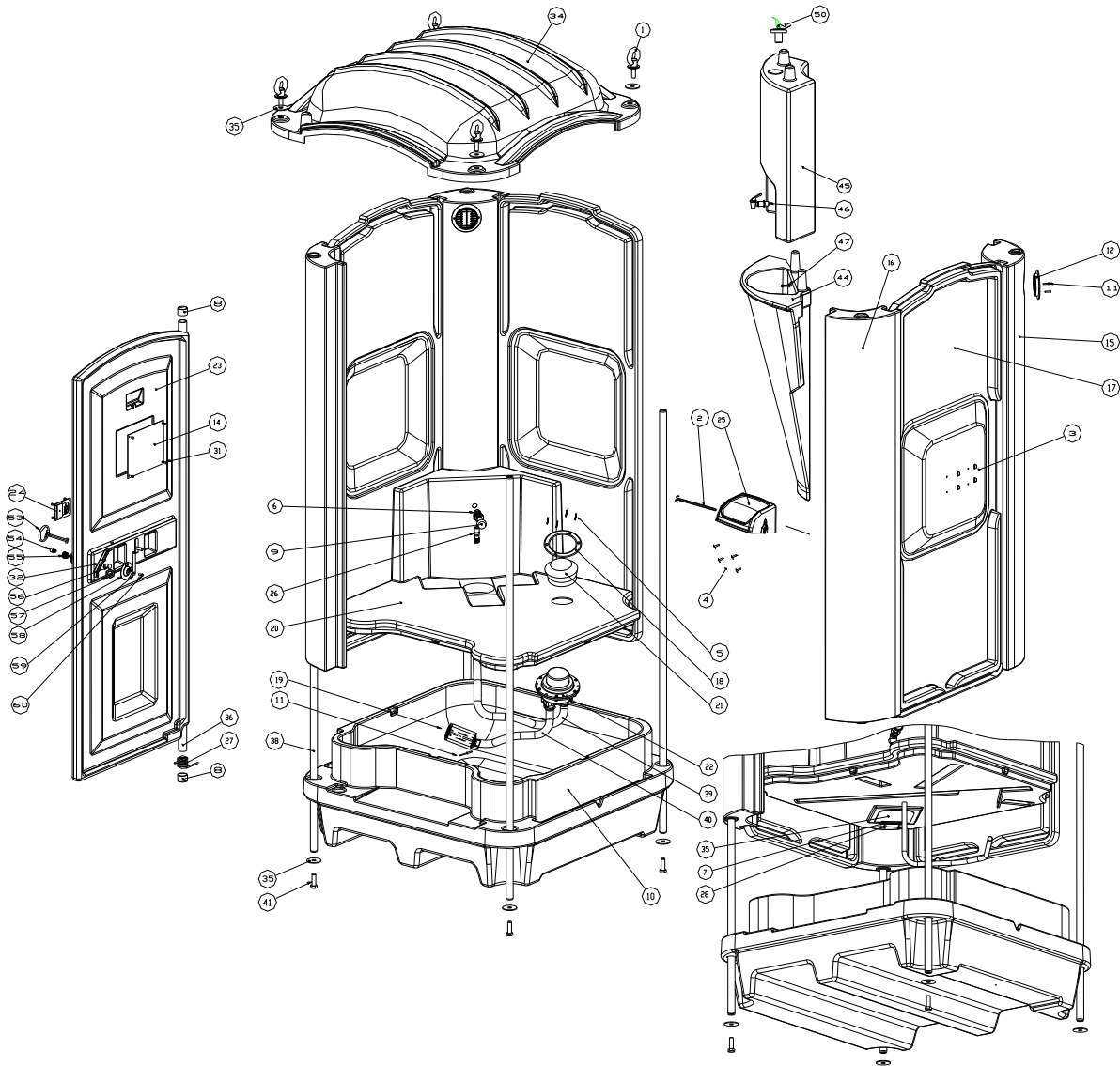
| | BLUE | GREY | YELLOW | ORANGE | FOREST GREEN | RED |
|------------------|-------|-------|--------|--------|--------------|-------|
| FRONT PILLAR #18 | 18259 | 18260 | 18261 | 18262 | 18263 | 18264 |
| REAR PILLAR #17 | 18265 | 18266 | 18267 | 18268 | 18269 | 18270 |

CLEANCAB SEATED TANK MAJOR ASSEMBLY

| REV BB ITEM # | PART# | QTY PER UNI T | DESCRIPTION | PRICE EACH |
|---------------------|--------------|------------------------|---|---------------|
| 1 | 18274 | 4 | LIFTING RING- CLEANCAB | |
| 2 / 3 / 5 | 16844 | 1 | SPINDLE- PAPERGRD 2 ROLL METAL | |
| 4 | 18528 | 2 | CAP- CLEANCAB DOOR TUBE | |
| 6 | 17505 | 4 | SCREW- #10-24 X 1-1/2 STNLS PH | |
| 7 | 18426 | 1 | ELBOW- 20MM X 1/2in PVC | |
| 8 | 18287 | 1 | OUTLET- CLEANCAB ENGL FLUSH | |
| 10 | 18271 | 1 | BASE – FRESH WATER RESERVOIR | |
| 12 | 18300 | 1 | FLAPPER- CLEANCAB ENGLISH | |
| 13 | 18277 | 2 | VENT SCREEN- CLEANCAB | |
| 15 | 18286 | 1 | SEAT- CLEANCAB TOILET | |
| 16 / 33 | 18522 | 1 | KIT- MIRROR CLEANCAB WITH 4 RIVETS 18486 | |
| 17 | SEE CHART | 2 | REAR PILLAR | |
| 18 | SEE CHART | 2 | FRONT PILLAR | |
| 19 | 18278 | 3 | PANEL- CLEANCAB | |
| 20 | 17504 | 1 | PUMP- STRAIGHT GUZZLER FOOT | |
| 21 | 15143 | 1 | FILTER- RECIRCULATING FLUSH | |
| 22 | 18284 | 1 | PLATFORM- CLEANCAB ENGL | |
| 23 | 16969 | 1 | BEZEL- FOOT PUMP | |
| 24 | 15801 | 1 | BOOT- BUTTON PUMP | |
| 25 | 18280 | 1 | DOOR- CLEANCAB W/O LOCK WITH SPRING MIRROR & ROD | |
| 27 | 17082 | 1 | HOOD- PAPERGUARD 2 ROLL GREY | |
| 28 | 18427 | 1 | CONNECTOR- 20 X 22 X 20MM AIV | |
| 29 | 18282 | 1 | SPRING- CLEANCAB CLOSURE | |
| 31 | 18492 | 8 | RIVET- ALUM 4.8X24.5MM CLEANCB (FOR VENT SCREEN) | |
| 32 | 18408 | 1 | GUIDE- CC DOOR LOCK | |
| 35 | 18275 | 8 | WASHER- 17MM X 60MM X 3MM | |
| 36 | 18279 | 1 | ROOF- CLEANCAB | |
| 40 | 18273 | 4 | BAR- CLEANCAB PILLAR | |
| 43 | 18276 | 4 | BOLT- 16MM X 50MM HEX | |
| 46 | 18293 | 1 | BOTTOM- CLEANCAB HANDWASH | |
| 47 | 18294 | 1 | TOP- CLEANCAB HANDWASH WITHOUT FAUCET | |
| 48 | 19043 | 1 | KIT- CLEANCAB HANDWASH FAUCET | |
| 50 | 18297 | 1 | PLUG- CLEANCAB HW DRAIN | |
| 51 | 18484 | 1 | HINGE SPRING- CLEANCAB FLAPPER | |
| 53 | 18409 | 1 | KEY- CC DOOR LOCK | |

* ONLY SOLD IN MULTIPLES OF 100

CLEANCAB SQUAT STYLE TANK



CLEANCAB COLOUR CHART

| | BLUE | GREY | YELLOW | ORANGE | FOREST GREEN | RED |
|------------------|-------|-------|--------|--------|--------------|-------|
| FRONT PILLAR #18 | 18259 | 18260 | 18261 | 18262 | 18263 | 18264 |
| REAR PILLAR #17 | 18265 | 18266 | 18267 | 18268 | 18269 | 18270 |

CLEANCAB SQUAT STYLE TANK MAJOR ASSEMBLY

| REV BB ITEM # | PART# | QTY PER UNI T | DESCRIPTION | PRICE EACH |
|---------------------|--------------|------------------------|---|---------------|
| 1 | 18274 | 4 | LIFTING RING- CLEANCAB | |
| 2 / 3 / 4 | 16844 | 1 | SPINDLE- PAPERGRD 2 ROLL METAL | |
| 5 | 17505 | 4 | SCREW- #10-24 X 1-1/2 STNLS PH | |
| 6 | 18426 | 1 | ELBOW- 20MM X 1/2in PVC | |
| 7 | 18484 | 1 | HINGE SPRING- CLEANCAB FLAPPER | |
| 8 | 18528 | 2 | CAP- CLEANCAB DOOR TUBE | |
| 9 | 18499 | 1 | OUTLET- CLEANCAB TURK FLUSH | |
| 10 | 18271 | 1 | BASE – FRESH WATER RESERVOIR | |
| 11 | 18492 | 8 | RIVET- ALUM 4.8X24.5MM CLEANCB (FOR VENT SCREEN) | |
| 12 | 18277 | 2 | VENT SCREEN- CLEANCAB | |
| 14 / 31 | 18522 | 1 | KIT- MIRROR CLEANCAB WITH 4 RIVETS 18486 | |
| 15 | SEE CHART | 2 | REAR PILLAR | |
| 16 | SEE CHART | 2 | FRONT PILLAR | |
| 17 | 18278 | 3 | PANEL- CLEANCAB | |
| 18 | 16969 | 1 | BEZEL- FOOT PUMP | |
| 19 | 15143 | 1 | FILTER- RECIRCULATING FLUSH | |
| 20 | 18285 | 1 | PLATFORM- CLEANCAB TURK | |
| 21 | 15801 | 1 | BOOT- BUTTON PUMP | |
| 22 | 17504 | 1 | PUMP- STRAIGHT GUZZLER FOOT | |
| 23 | 18280 | 1 | DOOR- CLEANCAB W/O LOCK WITH SPRING MIRROR & ROD | |
| 25 | 17082 | 1 | HOOD- PAPERGUARD 2 ROLL GREY | |
| 26 | 18427 | 1 | CONNECTOR- 20 X 22 X 20MM AIV | |
| 27 | 18282 | 1 | SPRING- CLEANCAB CLOSURE | |
| 28 | 18485 | | RIVET- CLEANCAB FLAPPER (NOT SOLD SEPARATELY) | |
| 32 | 18408 | 1 | GUIDE- CC DOOR LOCK | |
| 34 | 18279 | 1 | ROOF- CLEANCAB | |
| 35 | 18275 | 4 | WASHER- 17MM X 60MM X 3MM | |
| 38 | 18273 | 4 | BAR- CLEANCAB PILLAR | |
| 41 | 18276 | 4 | BOLT- 16MM X 50MM HEX | |
| 44 | 18293 | 1 | BOTTOM- CLEANCAB HANDWASH | |
| 45 | 18294 | 1 | TOP- CLEANCAB HANDWASH WITHOUT FAUCET | |
| 46 | 19043 | 1 | KIT- CLEANCAB HANDWASH FAUCET | |
| 50 | 18297 | 1 | PLUG- CLEANCAB HW DRAIN | |
| 53 | 18409 | 1 | KEY- CC DOOR LOCK | |

* ONLY SOLD IN MULTIPLES OF 100

CLEANCAB KITS & ACCESSORIES

| REV W ITEM # | PART# | QTY PER UNIT | DESCRIPTION | PRICE EACH |
|-----------------|-------|--------------------|-------------------------------|------------|
| Needed? | 18290 | 1 | TP HOLDER- CLEANCAB CC007 | |
| Needed? | 18291 | 1 | SPINDLE- CLEANCAB TP CC008 | |
| Needed? | 18292 | 1 | KEY- CLEANCAB TP HOLDER CC009 | |
| | | | | |
| Needed? | 19044 | 1 | KIT- SANICLEAN LOCK COMPLETE | |
| | 18305 | 1 | VALVE- CLEANCAB DRAIN | |
| | 18306 | 1 | HANDWASH CLEANCAB COMPLETE | |
| | 16928 | 1 | KIT- PAPERGRD 2 ROLL PUSH CAP | |
| | 18483 | 1 | KIT- CLEANCAB FLAPPER ENGLISH | |
| | 18482 | 1 | KIT- CLEANCAB FLAPPER TURKISH | |
| | 19041 | 1 | KIT- GUZZLER STRAIGHT FT PUMP | |
| | 18749 | 1 | KIT- LATCH/INDICTR/COVER/PLUG | |
